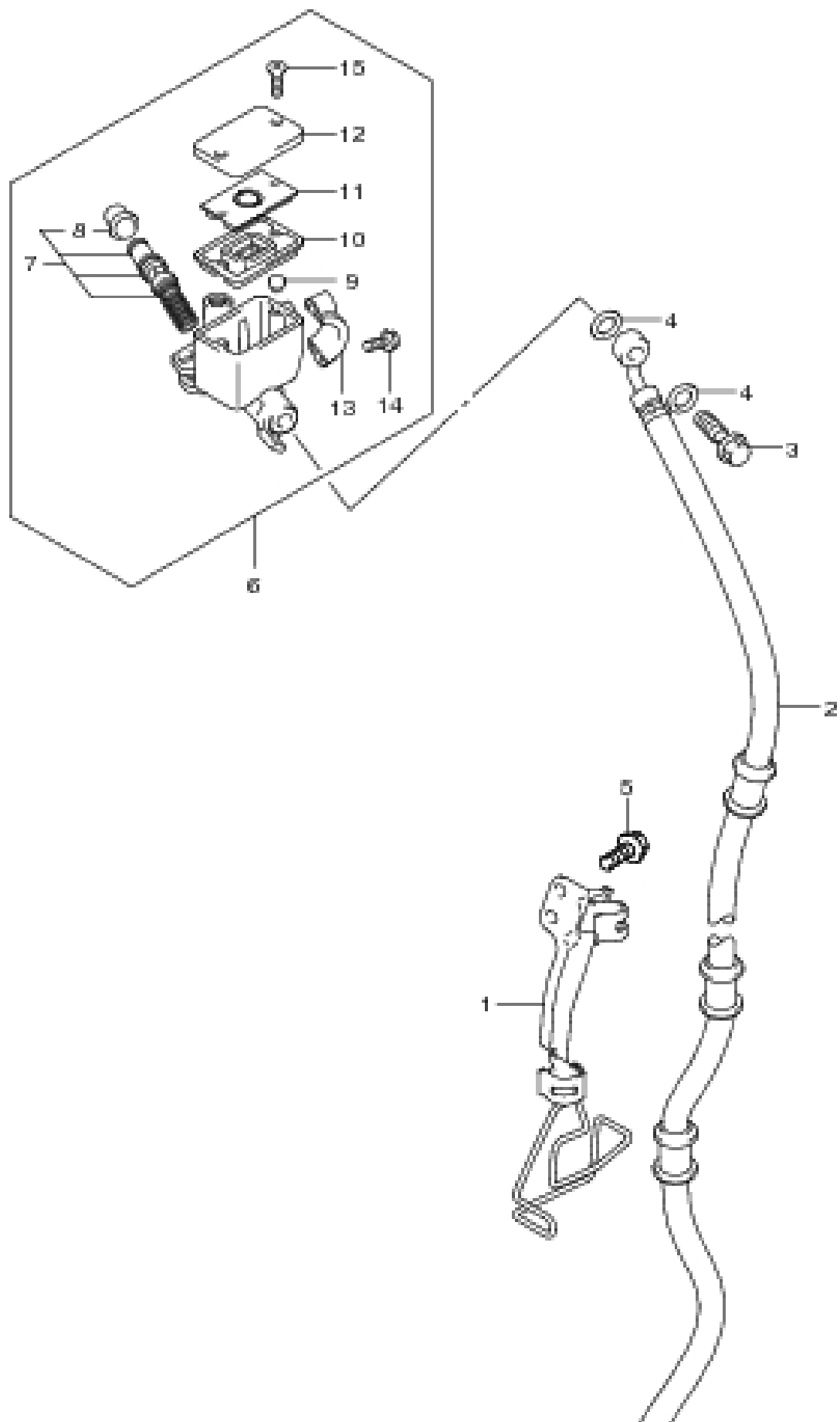


SUZUKI GENUINE PARTS/2 WHEELS/DOMESTICS/NEX FI /BODY/FIG.43 FRONT MASTER CYLINDER

FIG. 43



No.	Part No.	Qty.	Description	Complete No.	List Price (Rp.) (IDR)
1	59260B09J00N	1	CLAMP, FR BRAKE HOSE	59260B09J00N000	11000.00
2	59480B09J00N	1	HOSE, FRONT BRAKE	59480B09J00N000	95000.00
3	59492B09J00N	2	BOLT, BRAKE FLUID	59492B09J00N000	13000.00
4	59502B09J00N	4	WASHER, BRAKE FLUID	59502B09J00N000	18000.00
5	01547B0612BN	2	PLUG,CYLINDER HEADBOLT	01547B0612BN000	1000.00
6	59600B09J00N	1	CYLINDER ASSY,FRONT MASTERCYLINDER ASSY, FRONT MASTER	59600B09J00N000	500000.00
7	59600B09810N	1	.PISTON & CUP SET	59600B09810N000	55000.00
8	59666B09J00N	1	..BOOT	59666B09J00N000	7000.00
9	59664B09J00N	1	.PROTECTOR	59664B09J00N000	6000.00
10	59667B09J00N	1	.DIAPHRAGM	59667B09J00N000	7000.00
11	59668B09J00N	1	.PLATE, DIAPHRAGM	59668B09J00N000	3000.00
12	59669B09J00N	1	.CAP	59669B09J00N000	15000.00
13	59671B09J00N	1	.HOLDER	59671B09J00N000	12000.00
14	59675B09J00N	2	.BOLT, HOLDER	59675B09J00N000	5000.00
15	59691B09J00N	2	.SCREW, CAP	59691B09J00N000	2500.00