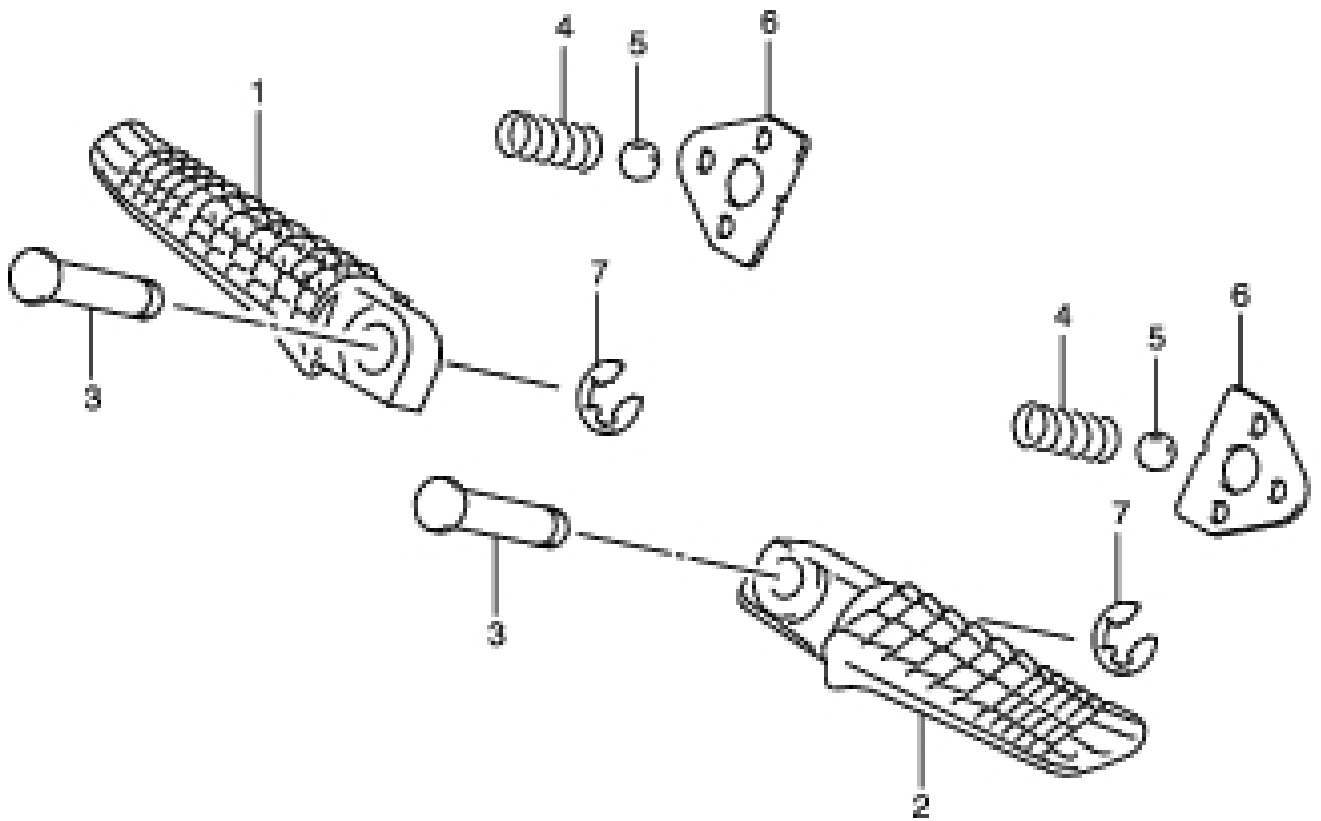


FIG. 31



No.	Part No.	Qty.	Description	Complete No.	List Price (Rp.) (IDR)
1	43611B37H00N	1	BAR,PILLION FOOTREST,RBAR, PILLION FOOTREST RH	43611B37H00N000	12000.00
2	43621B37H00N	1	BAR,PILLION FOOTREST,LBAR, PILLION FOOTREST LH	43621B37H00N000	12000.00
3	09208-08017	2	PIN	09208-08017-000	N/A
4	09440B05005N	2	SPRING	09440B05005N000	1500.00
5	06111-07004	2	BALL	06111-07004-000	4200.00
6	43816B01H02N	2	PLATE,PILLION FOOTRESTPLATE, PILLION FOOTREST	43816B01H02N000	2000.00
7	08332B1106AN	2	E-RING,OIL PUMP DRIVEN (G-226/E RING	08332B1106AN000	5000.00